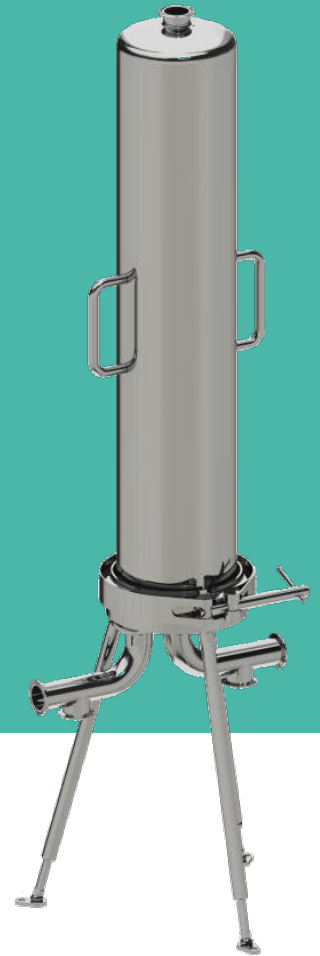








SANITARY FILTER HOUSINGS

The GV Sanitary filter housing series have been developed for using on sanitary applications as filtration of beverages such as beer, wine, mineral water, soft drinks. GV Filtri Industriali Sanitary filter has been designed in accordance to EN 13445 rule. The complete series is available with sizes from 1 cartridge to 30 cartridges and from 10" of 40" cartridges height. Cartridges socket connection is available for (226) Code7 Bayonet and (222) Code8 Single Open End. The housings of the series can be equipped on Inlet and Outlet with a wide range of connections as Clamp and DIN11851, other kind of connections can be supplied on request. Those housing are a high pressure series for not dangerous fluid, different category CE2014/68/EU PED, based on filter housing size.



OIL & GAS	CHEMICAL & PETROLCHEMICAL	WATER TREATMENT	ENERGY	FOOD & PHARMA	INDUSTRIAL
					

Applications

Water Treatment

- Drinking water filtration • Softening system protection

Food & Pharma

- Cosmetic • Fermentation • Beverage and Water • Chocolate • Dairy • Pre-Prefiltration • Prefiltration

Construction Materials

Wetted parts are built in Stainless Steel AISI 316L.

Gaskets can be requested in many kind of materials depending on the application. The standard gasket are in Silicone FDA Approved.

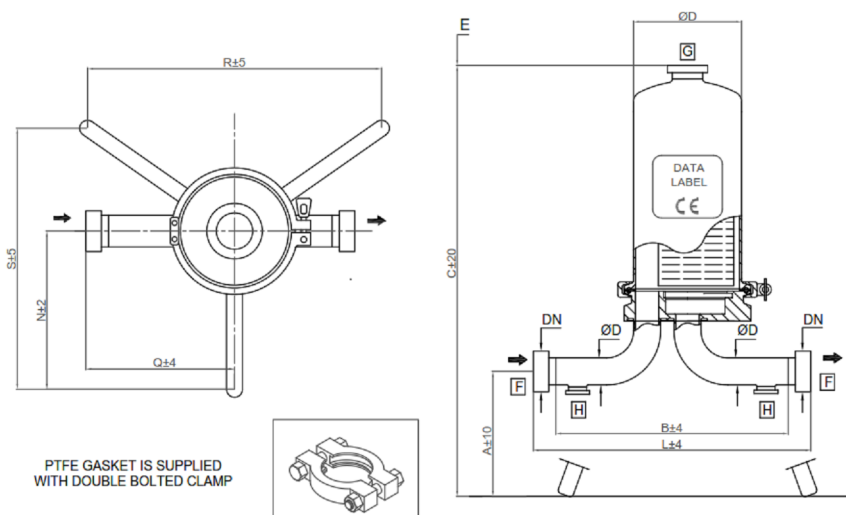
Certificates

The housings have been designed under 2014/68/EU PED. From Roughness certificates to Material certificates, GV Filtri is able to supply all the additional documentation you require.

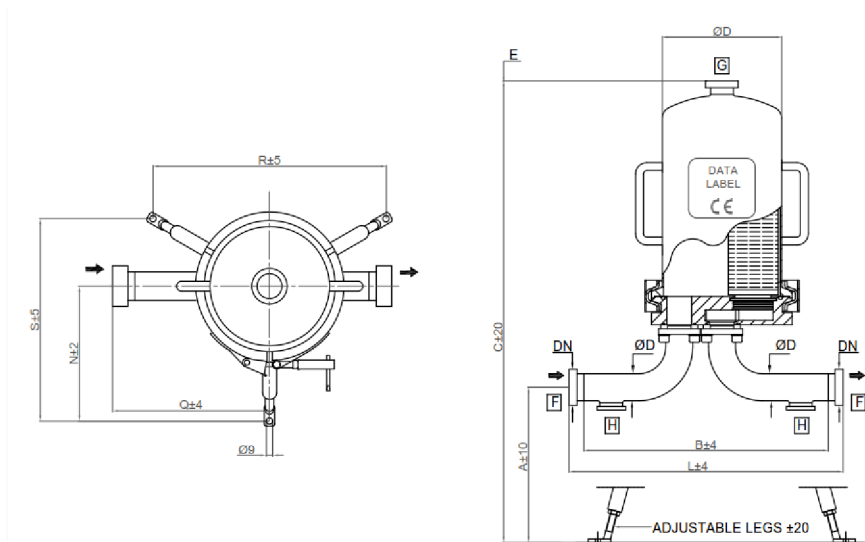
We can supply filter housings in I, II, III PED category, basing on the pressure used during the filtration process.

GV Sanitary Filter Housing is ATEX certified. It doesn't require additional certification costs. The user manual shows all the ATEX rules information.

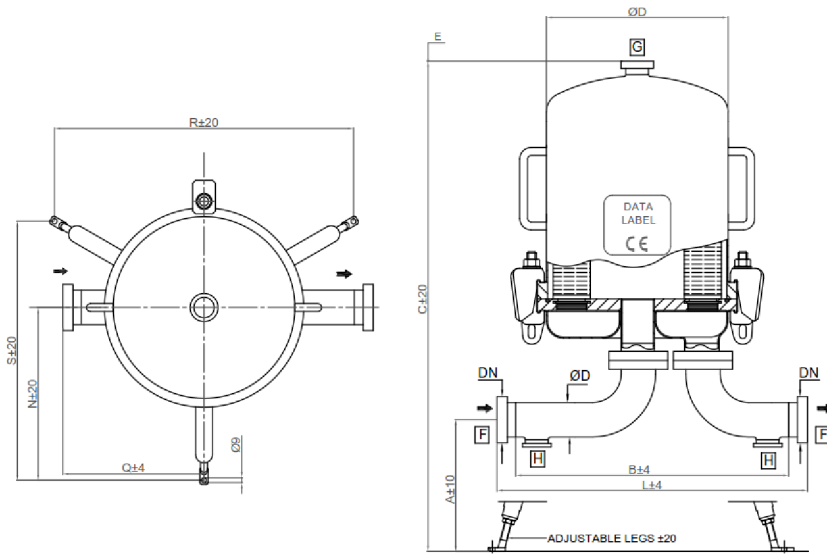
Filter Drawing Cartridge Quantity N°1



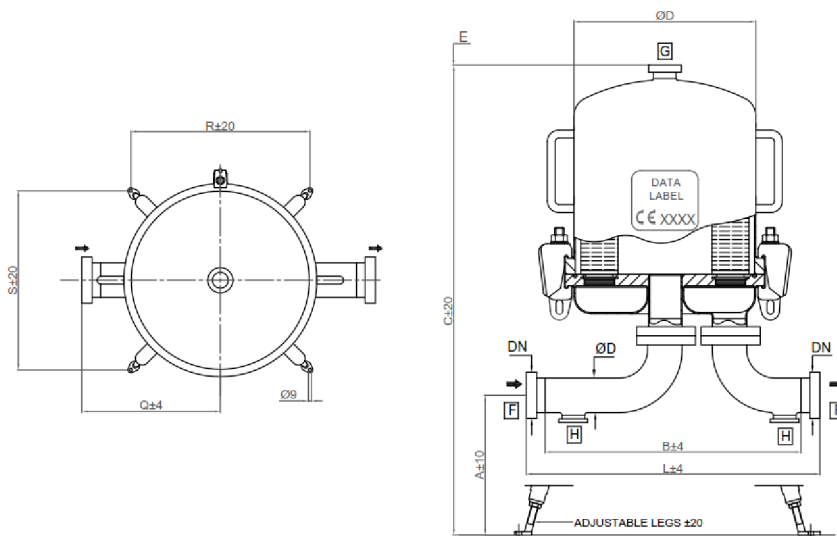
Filter Drawing Cartridge Quantity N°3-5-8



Filter Drawing Cartridge Quantity N°8-12



Filter Drawing Cartridge Quantity N°24-30



Dimensional Data

CARTRIDGE x HEIGHT (N)	ØD	R mm	S mm	N mm	C mm	E mm	VOLUME litres (V)	PED category
01 x 10"	Ø101.6	339	326	207	790	300	3.0	4.3
01 x 20"		339	326	207	1040	550	4.8	4.3
01 x 30"		339	326	207	1290	800	6.7	I
01 x 40"		339	326	207	1540	1050	8.6	I
03 x 10"	Ø168	357	310	206	816	290	7.3	I
03 x 20"		357	310	206	1065	540	12.6	I
03 x 30"		357	310	206	1314	790	17.8	I
03 x 40"		357	310	206	1564	1040	23.1	II
05 x 10"	Ø219	400	347	231	825	290	11	I
05 x 20"		400	347	231	1075	540	20	II
05 x 30"		400	347	231	1325	790	29.1	II
05 x 40"		400	347	231	1575	1040	38.2	II
08 x 10"	Ø273	448	388	259	846	290	21.3	II
08 x 20"		448	388	259	1096	540	35.5	II
08 x 30"		448	388	259	1346	790	49.7	II
08 x 40"		448	388	259	1596	1040	63.9	II
12 x 10"	Ø350	425	410	279	930	290	41	II
12 x 20"		425	410	279	1180	540	66	II
12 x 30"		425	410	279	1430	790	88	II
12 x 40"		425	410	279	1680	1040	112	III
18 x 10"	Ø400	505	480	304	950	290	54	II
18 x 20"		505	480	304	1200	540	85	II
18 x 30"		505	480	304	1450	790	115	III
18 x 40"		505	480	304	1700	1040	146	III
24 x 10"	Ø450	465	455	-	970	290	73	II
24 x 20"		465	455	-	1220	540	112	III
24 x 30"		465	455	-	1470	790	151	III
24 x 40"		465	455	-	1720	1040	190	III
30 x 10"	Ø550	550	550	-	1000	290	118	III
30 x 20"		550	550	-	1250	540	176	III
30 x 30"		550	550	-	1500	790	235	III
30 x 40"		550	550	-	1750	1040	293	III

STANDARD CONNECTIONS

CONNECTIONS TYPE

N°1 CARTRIDGES HOUSING

:Butt Weld, Din 11851 or TriClamp

N°3 CARTRIDGES HOUSING

:DN25

N°5 CARTRIDGES HOUSING

:DN40

N°8 CARTRIDGES HOUSING

:DN50

N°12 CARTRIDGES HOUSING

:DN50

N°18 CARTRIDGES HOUSING

:DN65

N°24 CARTRIDGES HOUSING

:DN65

N°30 CARTRIDGES HOUSING

:DN65

:DN80